

## 1. Outline of Firm

Name of Firm	MINORS JAPAN L.T.D			Representative	Sato Minoru		
				Person in Charge	Koizumi Takashi		
Activities	Design automated machine , equipment , and JIG			URL	<a href="http://www.minors.co.jp/">http://www.minors.co.jp/</a>		
Main Products	Automated machine for connector, JIG , Ass'y for harness connector						
Address	ZIP 973-8408 33Omachi Takasaka-machi Uchigo Iwaki City Fukushima Japan						
TEL/FAX	0246-26-2350 / 0246-26-2358			E-mail	koizumitk@minors.co.jp		
Capital(M Yen )	3	Founded	Oct. 2001	Sales (M Yen)	204	Employees	30

## 2. PR Item




*〚 30 years of experience in connector manufacturing!  
Provide thoughtful and meticulous production technology. 〚*

Our company mainly designs and manufactures for the automatic machines and equipment for connectors. At the same time, it is also responsible for connectors and cable assemblies processing. Recently, the connector is developing towards ultra-small. This tendency is increasing demands of connector automatic assembling machine. Our company will design connector automatic assembling machine according to clients, and provide production technology from test operation to the large-scale production for connector.

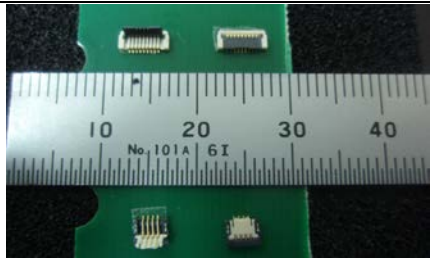

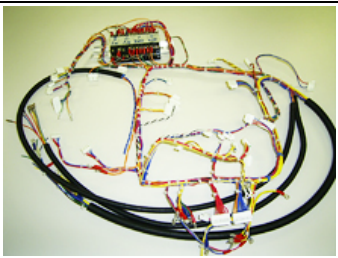
### ● Technology of our company

Specialize technical resources in the connector manufacturing; such as JIG for assembly connector, design and development for automated machine

### ● Development Case

Automatic machine for manufacturing connector B to W	B to B connector assembly automatic machine	FPC connector assembly automatic machine
		

### ● Processing on commission cases

FPC Connectors	B to W connector	Wire Processing
		

## 3. Remark & Reference

- Hope to sell our products to overseas (including agencies); also available for Processing on commission
- Main partners: FCI Japan, YUASA, SMK, FURUKAWA DENSHI, O-TEC Ltd, Taiko Denki Corp. TENRYUSEIKI.
- Welcome to ask us only design automated machine , or setting automatic machine